

BSC4 4-CHANNEL BRIDGE AMPLIFIER (U.S. & METRIC)

FEATURES & BENEFITS

- $\pm 10V$ and 4-20mA or USB outputs
- 4 independent channels
- For use with model 3AXX series 3-axis load cells
- Can be used with up to any 4 standard load cells (with mV/V output)

SPECIFICATIONS

PERFORMANCE	BSC4A	BSC4D	
Output Type	Analog Only	USB Only	
Signal Input Range – mV/V	up to 10	up to 10	
Accuracy Class – %	0.05	0.05	
CMR – dB @ 60 Hz	95 - 110	95 - 110	
Data Rate – Hz	N/A	0 - 500	
Cut-Off Frequency – analog – Hz	250	450	
Cut-Off Frequency – digital	N/A	Notch Filler	
Resolution – bit	Analog	16	
EXCITATION			
Excitation Voltage - V	5	2.5	
Excitation Current – mA	10	10	
Supply Voltage – VDC	11 to 30	4.5 - 5.5 from USB	
Supply Current – mA	< 1000	< 200	
ENVIRONMENTAL			
Operating Range	°C	-10 to +65	-10 to +65
	°F	+14 to +149	+14 to +149
Storage Range	°C	-40 to +85	-40 to +85
	°F	-40 to +185	-40 to +185
Zero Drift/ °C		0.005%	0.005%
Sensitivity Drift/ °C		0.001%	0.001%

OPTIONS

- M12 load cell connectors (4x)

SOFTWARE SCREEN SHOTS



STANDARD CONFIGURATION

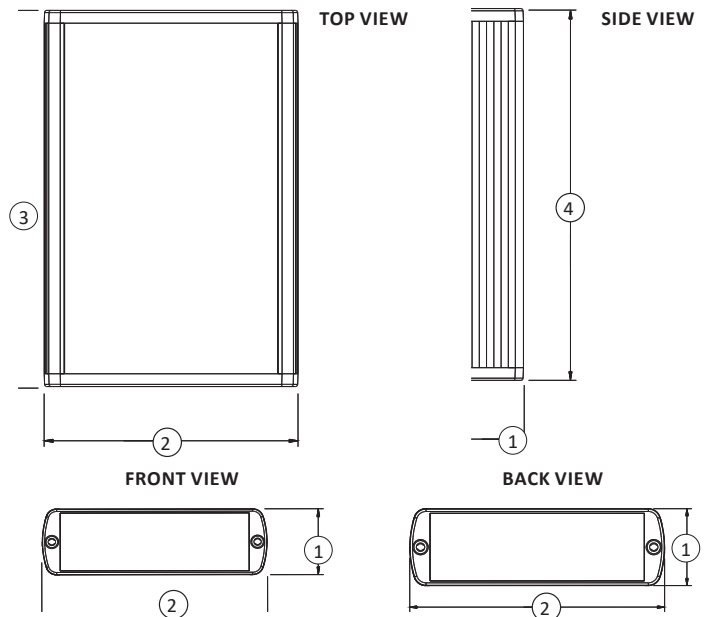


BSC4A (Shown)



BSC4D (Shown)

MODEL	DESCRIPTION
BSC4A	$\pm 10V$ and 4-20mA output, up to 10 mV/V input, 37-pin input connector. Includes power supply
BSC4D	USB output, up to 10 mV/V input, 37-pin input connector, USB powered. Includes graphing and logging software



DIMENSIONS

1		2		3		4	
mm	in	mm	in	mm	in	mm	in
32.0	1.25	106.0	4.17	161.0	6.33	169.0	6.65