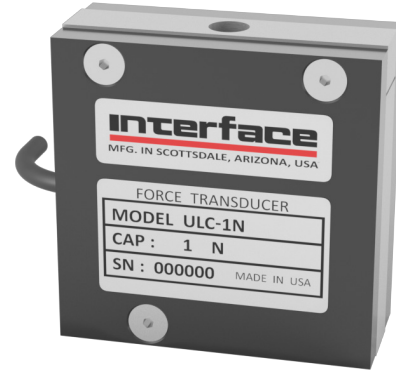


ULC ULTRA LOW CAPACITY LOAD CELL (U.S. & METRIC)

SPECIFICATIONS

ACCURACY – (MAX ERROR)							
Nonlinearity – %FS		±0.05					
Hysteresis – %FS		±0.05					
Nonrepeatability – %RO		±0.05					
Creep, in 20 min – %	0.1, 0.5 N	±0.1					
	0.02, 0.11 lbf						
	1, 2, 5 N	±0.05					
	0.22, 0.45, 1.12 lbf						
TEMPERATURE							
Compensated Range	°C	-10 to +45					
	°F	+15 to +115					
Operating Range	°C	-55 to +90					
	°F	-65 to +200					
Effect on Output – % / deg	°C	±0.002					
	°F	±0.001					
Effect on Zero – %RO / deg	°C	±0.004					
	°F	±0.002					
ELECTRICAL							
Rated Output – mV/V (Nominal)	0.1 N	±0.5					
	0.02 lbf						
	0.5 N	±1.5					
	0.11 lbf						
	1, 2, 5 N				±2.0		
	0.22, 0.45, 1.12 lbf						
Zero Balance – %RO (horiz.)		±2.0					
Input Resistance – Ohms		350 (+35/-3.5)					
Output Resistance – Ohms		350 (±3.5)					
Excitation Voltage – VDC MAX		12					
Insulation Resistance – Megohms		> 5000					
MECHANICAL							
Calibration		Tension					
Safe Axial Overload – %CAP		±1000					
Safe Side Overload – %CAP		±500					
Safe Load Axis Moment – %CAP x 1 in		±500					
NATURAL FREQUENCY/DEFLECTION							
N	lbf	Deflection		Nat. Freq. (Hz)			
		mm	in				
0.1	0.02	0.08	0.003	65			
0.5	0.11	0.23	0.011	90			
1	0.22	0.23	0.011	125			
2	0.45	0.20	0.008	200			
5	1.12	.15	0.006	290			
Material		Aluminum					
Weight	kg		0.13				
	lb		0.28				

STANDARD CONFIGURATION



Model ULC-1N (Shown)

FEATURES & BENEFITS

- Proprietary Interface temperature compensated strain gages
- Highest performance gram cell in the world
- Overload protected
- Safe side load overload to 5X capacity
- Low extraneous load sensitivity
- Low temperature effect on zero (0.002%/°F)
- Capacity down to 50 grams
- Tension and compression

OPTIONS

- Cable length
- Transducer Electronic Data Sheets (TEDS)
- Custom calibration
- Standardized output
- Special temperature range

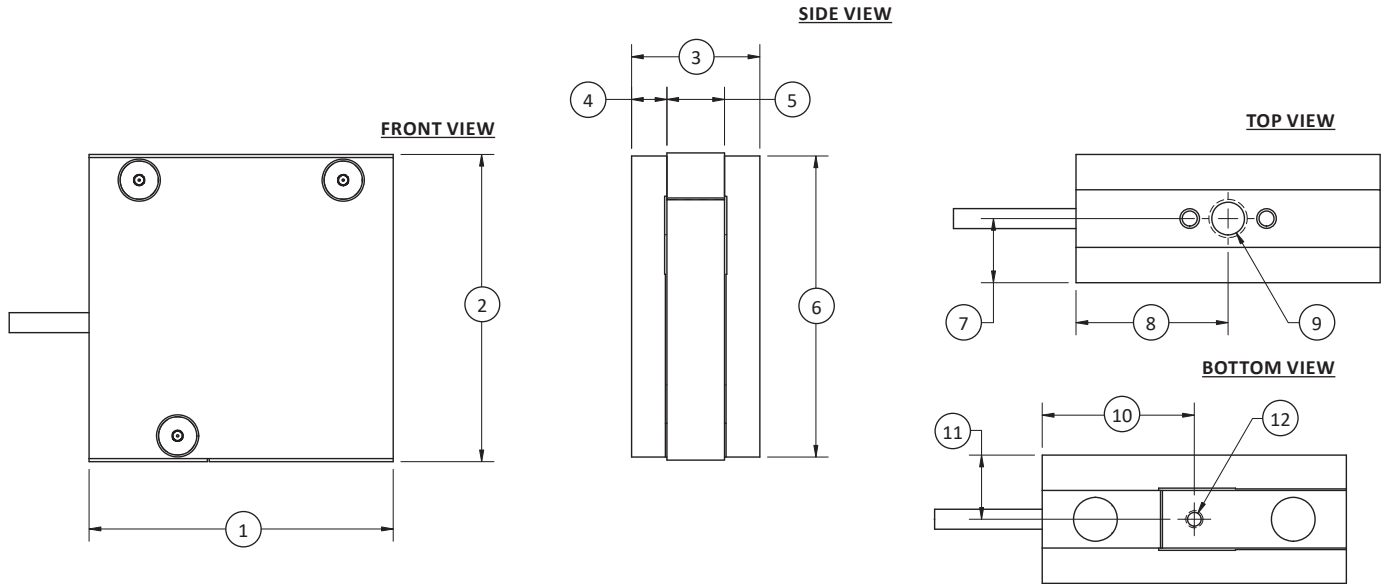
ACCESSORIES

- Instrumentation

CONNECTOR OPTIONS

- 1.5 m (5 ft) cable

ULC ULTRA LOW CAPACITY LOAD CELL (U.S. & METRIC)



DIMENSIONS

See Drawing	CAPACITY	
	Metric (N*)	U.S. (lbf)
	0.1, 0.5, 1, 2,5	0.02, 0.11, 0.22, 0.45, 1.12
	mm	in
(1)	50.3	1.98
(2)	50.8	2.00
(3)	21.2	0.84
(4)	5.8	0.23
(5)	9.5	0.38
(6)	49.8	1.96
(7)	10.6	0.42
(8)	25.1	0.99
(9)	¼-28 UNF ↓ 8.1	¼-28 UNF ↓ 0.32
(10)	25.1	0.99
(11)	10.6	0.42
(12)	4-40 UNC-2B ↓ 4.8	4-40 UNC-2B ↓ 0.19

* 1 Newton = 102 gram force
 Note: Other sizes are available – contact factory