

WMCLC LOW CAPACITY MINIATURE SEALED STAINLESS STEEL LOAD CELL (U.S. & METRIC)

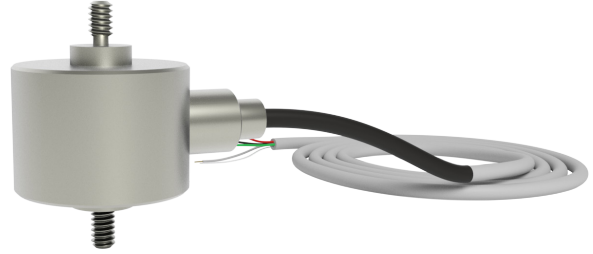
FEATURES & BENEFITS

- 0.1N to 5N (0.022 lbf to 1.12 lbf) Capacities
- mV/V Output
- Small Size
- Stainless Steel Construction
- Environmentally Sealed
- Tension and Compression
- Semiconductor Strain Gages

SPECIFICATIONS

ACCURACY – (MAX ERROR)		
Nonlinearity – %FS		±0.15
Hysteresis – %FS		±0.15
Nonrepeatability – %RO		±0.1
TEMPERATURE		
Compensated Range	°F	+60 to +160
	°C	+15 to +71
Operating Range	°F	-40 to +257
	°C	-40 to +125
Effect on Output – %	°F	±0.02
	°C	±0.03
Effect on Zero – %RO	°F	±0.02
	°C	±0.03
ELECTRICAL		
Rated Output – mV/V (Nominal)	Range 0.1N	±0.4
	Range 0.5N & 1.5N	±2.0
	Range 2.5N & 5.0N	±2.0
Zero Balance – mV/V		±0.2
Bridge Resistance – Ohm (Nominal)		2,500
Excitation Voltage – VDC MAX		10
Insulation Resistance – Megohm VDC		100 at 50
MECHANICAL		
Deflection @ FS	in	0.0005
	mm	0.013
Maximum Load - Mechanical Stop		2 times rated capacity
Weight	lbs	0.2
	g	90
Material		Stainless steel
Integral Cable Length	ft	5
	m	1.5

STANDARD CONFIGURATION



Model WMCLC-5 (Shown)

OPTIONS

- Cable length
- Special calibration
- Add connector to cable
- Submersible
- Transducer Electronic Data Sheet (TEDS)
- Higher mV/V outputs available (1N to 5N Capacities)

ACCESSORIES

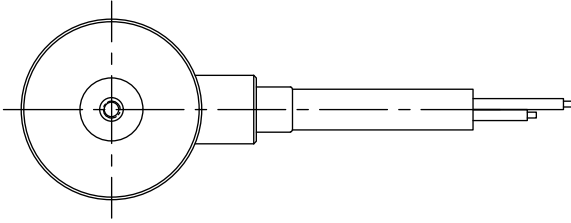
- Instrumentation

WIRING CONFIGURATION

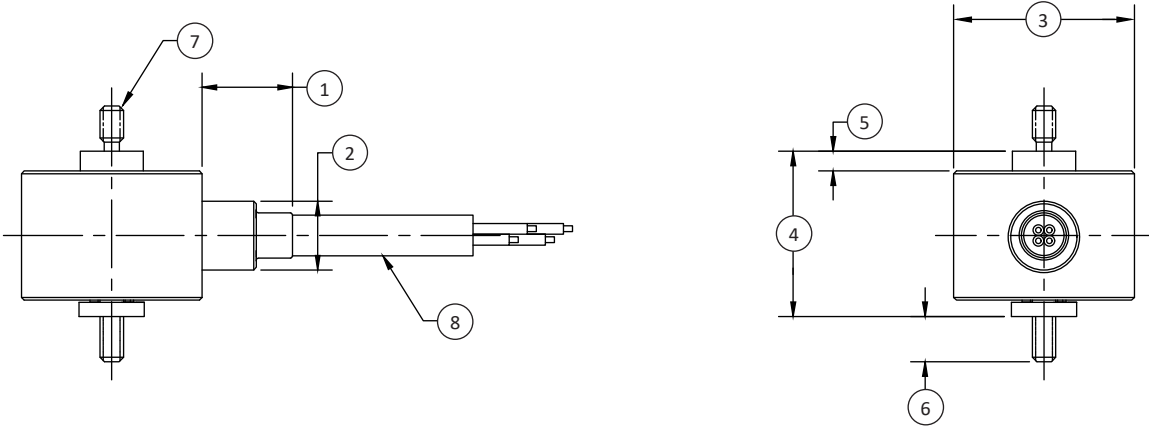
Red	+ Excitation
Green	- Signal
White	+ Signal
Black	- Excitation

WMCLC LOW CAPACITY MINIATURE SEALED STAINLESS STEEL LOAD CELL (U.S. & METRIC)

TOP VIEW



SIDE VIEW



DIMENSIONS

See Drawing	CAPACITY	
	U.S. (lbf)	Metric (N)
	0.022, 0.112, 0.337, 0.562, 1.12	0.1, 0.5, 1.5, 2.5, 5
	in	mm
(1)	0.50	12.7
(2)	Ø0.38	Ø9.7
(3)	Ø1.00	Ø25.4
(4)	0.92	23.3
(5)	0.11	2.8
(6)	0.25	6.4
(7)	#6-32 UNC	
(8)	4 CONDUCTOR INSULATED SHIELDED CABLE, 5' LONG	4 CONDUCTOR INSULATED SHIELDED CABLE, 1.5m LONG