



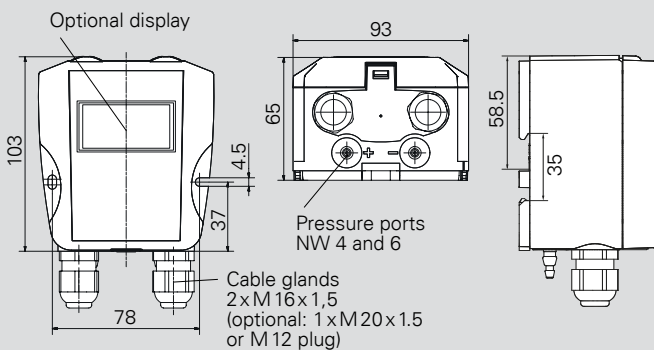
PS 17 with optional display

Features

- Compact differential pressure transmitter for basic applications in cleanrooms, machines, HVAC or filter monitoring
- Robust ABS housing with IP65 for top-hat rail or wall mounting
- \pm and asymmetric measurement ranges
- Either with one fixed measurement range or toggling between 4 different measurement ranges
- Pressure units Pa, kPa (linear output signal)
- Square-root output signal in % of max. possible value
- Configurable via DIP switches
- Zero point correction and via internal pushbutton or digital input
- Fine adjustment via internal pushbutton

Optional

- 3 ½ digits display
- 2-wire system (ZWL) or relay (6 A)
- Plug for easy commissioning



Dimensions in mm

Measurement ranges (also \pm) others available upon request	50/100/200/500 Pa 1/2.5/5/10 kPa
Margin of error (at 22 °C, 0.3 Pa margin of error for the reference)	$\pm 1\%$ of the set value for measurement ranges ≤ 100 Pa plus ± 0.5 Pa
Temperature coefficient span	0,1 % of max. value/K
Temperature coefficient zero point	0,1 % of max. value/K
Max. system pressure / Overload capacity	± 25 kPa: measurement ranges ≤ 250 Pa ± 50 kPa: measurement ranges > 250 Pa
Medium	air, all non-aggressive and non-flammable gases
Sensor response time	25 ms
Ambient temperature	-10..70 °C with display: 0..50 °C
Storage temperature	-10..70 °C with display: -5..55 °C
Calibration temperature	22 °C
Air humidity (Medium)	0..80 % RH
Power consumption	< 1 W (Optional relay: < 4 W)
Pressure ports	for tubing NW 4 and 6 mm
Protection class	IP65
Weight	approx. 200 g
Certificates	CE

Output ¹⁾	A
0..10 V ($R_L \geq 50$ k Ω)	1
2..10 V ($R_L \geq 50$ k Ω)	2
0..20 mA ($R_L \leq 500$ Ω)	0
4..20 mA ($R_L \leq 500$ Ω)	4

Contact point ³⁾	D
none	0
1 relay (change-over contacts) ³⁾ max. 230 VAC, 6 A (not for two-wire)	1

¹⁾ can be configured using DIP switches, conversion into square root signal adjustable (in % of max. possible value)

³⁾ Relay parameters can be pre-set on request

Power supply	B
24 VAC/DC 50/60 Hz $\pm 10\%$ reverse pole protection	AC/DC
15..32 VDC two-wire (only for A=4)	ZWL
24 VDC with galvanic separation	VDC

Display	E
none	0
3 ½ digits ⁴⁾	1

⁴⁾ Display up to ± 1999

Measurement range	C
Standard ²⁾ (e.g. 0..100 Pa)	
50 Pa/100 Pa/ 200 Pa/250 Pa	1
100 Pa/200 Pa/ 750 Pa/1.25 kPa	2
250 Pa/500 Pa/ 1 kPa/2.5 kPa	3
1 kPa/2.5 kPa/ 5 kPa/10 kPa	4
± 50 Pa/ ± 100 Pa/ ± 200 Pa/ ± 250 Pa	1A
± 100 Pa/ ± 200 Pa/ ± 750 Pa/ ± 1.25 kPa	2A
± 250 Pa/ ± 500 Pa/ ± 1 kPa/ ± 2.5 kPa	3A
± 1 kPa/ ± 2.5 kPa/ ± 5 kPa/ ± 10 kPa	4A

Time constant ⁵⁾	F
25 msec	025
1 sec	1
4 sec	4
10 sec	10

⁵⁾ Factory preset, configurable via button

Electrical connection	G
spring-type terminal, 2 x M 16 cable glands	16
spring-type terminal, M 20 cable gland ⁶⁾	20
M 12 plug ⁶⁾	12

⁶⁾ not for changeover contacts / relay (D)

Test certificate	H
none	0
ISO factory calibration	ISO
DAkkS calibration	DAkkS

²⁾ also \pm measuring ranges

Order code	A	B	C	D	E	F	G	H
PS 17	-	-	-	-	-	-	-	-