

## Model TS19 Short Hollow Flange Style Reaction Torque Transducer

- Capacities from 100 to 10K Nm (885 to 88.5K lbf-in)
- Short, rugged, compact design
- Both ends with flange
- Hollow



*TS19 Short Flange Style Reaction Torque Transducer*

### OPTIONS

100 % Control Signal (RCAL)

### SPECIFICATIONS

**ACCURACY – (MAX ERROR)**

Combined Error–% FS .....±0.1  
Nonrepeatability–% .....±0.02

**TEMPERATURE**

Effect on Zero–% RO/°C .....±0.02  
Effect on Output–%/°C .....±0.01  
Rated Range–°C .....-5 to +45  
Operating Range–°C .....-15 to +55

**ELECTRICAL**

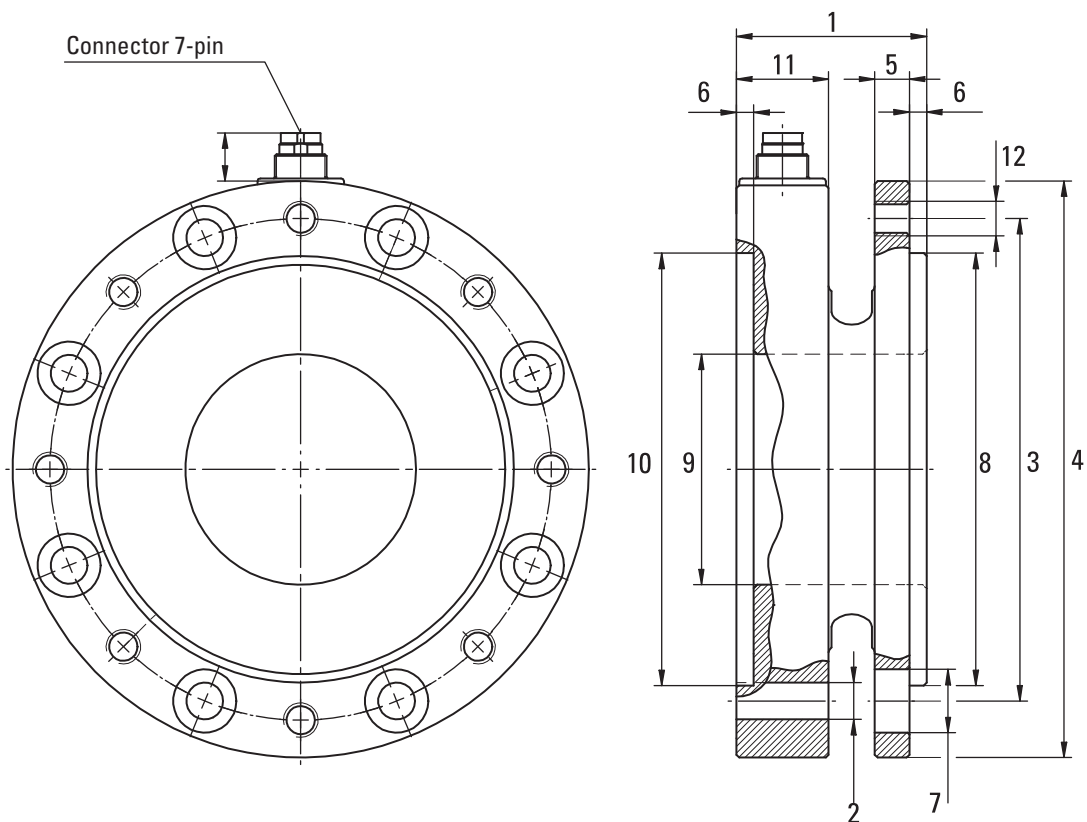
Output–mV/V .....1.5  
Excitation Voltage–VDC MAX .....12  
Bridge Resistance–Ohm .....350  
Electrical Connection .....7–Pin Binder 712

**MECHANICAL**

Safe Overload–% RO .....150  
Safe Overhung Moment–% FS .....50  
Cyclic Load Rating–% RO.....70 P-P (DIN 50100)  
Material .....Stainless steel

**Model TS19 Short Flange Style Reaction Torque Transducer-**  
Capacities 100 to 5K Nm

Capacity (Nm)	Nominal Torque				
	100	200	500 / 1k	2k	5k / 10k
	Metric / mm				
<b>1</b>	33	38.5	43.5	45.5	67
<b>2</b>	6.4	8.4	13	15	19
<b>3</b>	87	105	133	165	206
<b>4</b>	100	121	156	191	238
<b>5</b>	6	8	12	14	20
<b>6</b>	3	3	3	3	3
<b>7</b>	11	14	20	24	30
<b>8</b>	75	90	110	140	170
<b>9</b>	40	45	70	75	79
<b>10</b>	75	90	110	140	174
<b>11</b>	16	17	18	18	29
<b>12</b>	8x M6	8x M8	8x M12	8x M14	8x M18



**Note: Mechanical views are 1st angle projection.**